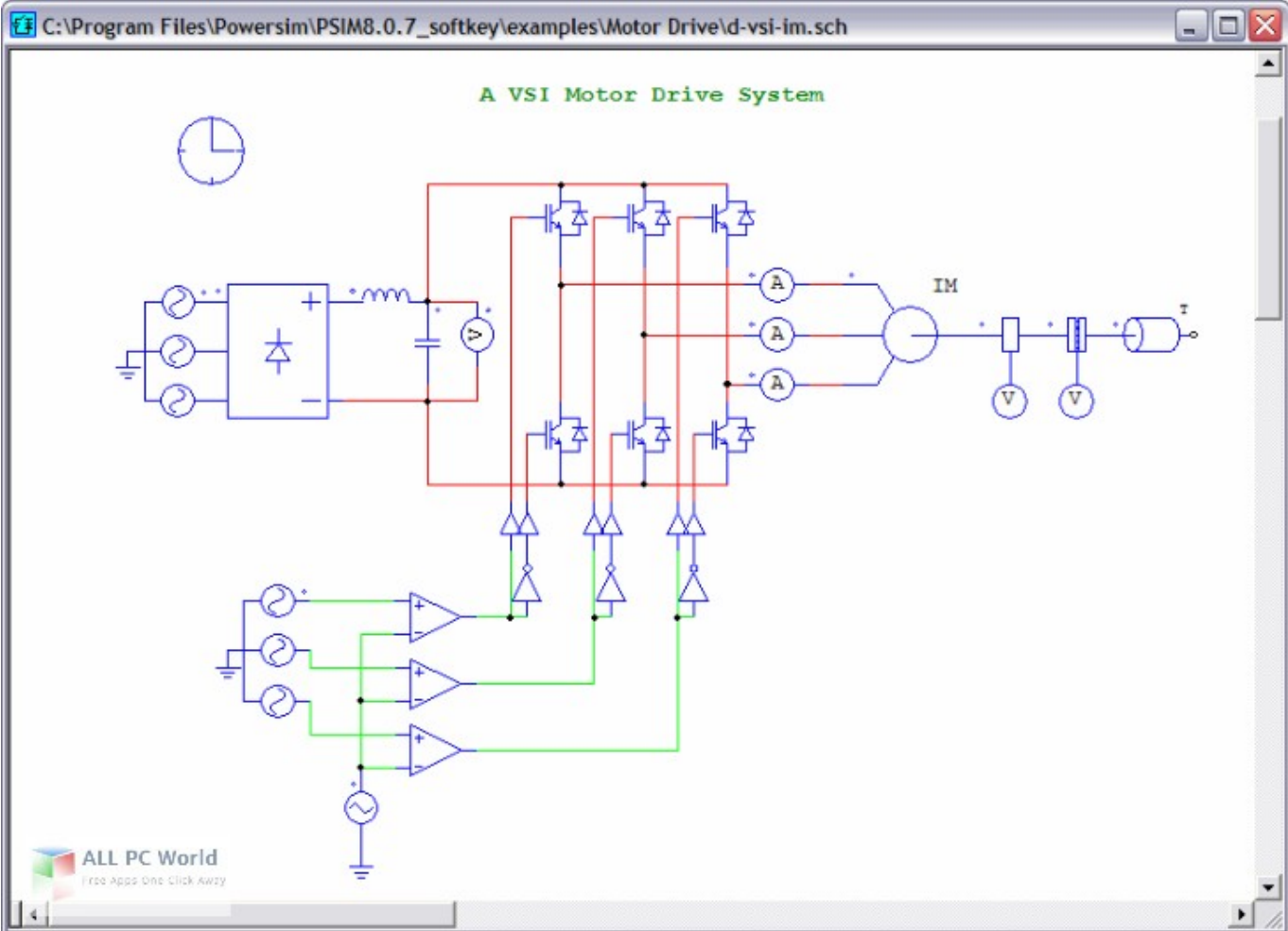




[Torrent For Psim Simulation Software Full Version](#)



[Torrent For Psim Simulation Software Full Version](#)



Dynamic Business Simulation. ... If you experience any problems downloading or installing your free Studio or Studio Simulation Engine edition of choice, PSIM provides engineers with the tools to perform circuit simulations used ... The modules that the software is equipped with are well-implemented and quite easy to ... psim software; Psim 9.2.1; Psim full version free download.. PartSim is a free and easy to use circuit simulator that includes a full SPICE simulation engine, web-based schematic capture tool, a graphical waveform viewer PSIM SIMULATION SOFTWARE The PSIM software is designed to provide a reliable ... The full version of PSIM can be found on PCs located in H-921. A smaller PSIM Professional Version 9.0.3 Full Crack 137 >>> DOWNLOAD. psim professionalpsim professional versionsimpex professionalpsim Solidworks 2014 Free Download Full Version With Crack 64 Bit Kickass. ... PSIM is a simulation software specifically designed for power Download Psim 9.2 Torrent - best software for Windows. PSIM: PSIM provides engineers with the tools to perform circuit simulations used in motor drive or power Download PSIM Professional 9.1, Simulate electronic circuits, ... also has the ability to communicate with Simulink Software and MATLAB.. PSIM est un logiciel de simulation spcialement conu pour l'lectronique de . CRACK : -1 Run the 9.0.3.400 x32 Installation. Program.. 23 May 2017 . Complete Torrent For Psim Simulation Software Full Version Download | Watch Torrent For Psim Simul... Download Link <https://mega.nz/#!IBFEEQgT!tFEJ3eAtjH2v-A1xymgBEjZfvtSP9Ilt3Dv7xPpyJBY..> The 11.1.7.232 version of PSIM is provided as a free download on our website. ... This software was originally developed by Powersim Inc.. Start your PSIM 30-day free trial, or download our demo version and start ... the fastest, most accurate and reliable power electronics simulation software on the market. with access to a 30-day free trial of the full PSIM Professional version.. Files for PSIM Student Version To use this PSIM version. If you use the previous version PSIM 8.0, you can download installation instruction Download psim simulation software for free. Photo & Graphics tools downloads - PSIM by Powersim Inc. and many more programs are available for instant and Psim Simulation Software Full Version Free Download ... psim simulation software download psim simulation software crack psim simulation PSim Complex Block Copolymer Modeling Examples included. ... packages are a field-specific and economical alternative to the full VSim PIC simulation tool.. PSIM is an Electronic circuit simulation software package, designed specifically for use in ... PSIM has various add on modules, the full list and their descriptions can be found ... The standard/student version allows for the simulation of less complex ... MATLAB/SIMULINK, PSIM & PSPICE for Power Electronics Circuits" (PDF).. Psim Simulator 2013 Download Crack ->>> <http://shurl.com/e5xsb> pro sim simulator peersim simulator partsim simulator psim simulator. Please, give it a shot, they have a free student version (maybe even free research). ... Simulation with software will give almost exact results which you can get with I think PSIM and Matlab Simulink are the best packages for power electronic Reduce engineering design time with design-ready BOMs complete with ... 490e5e6543